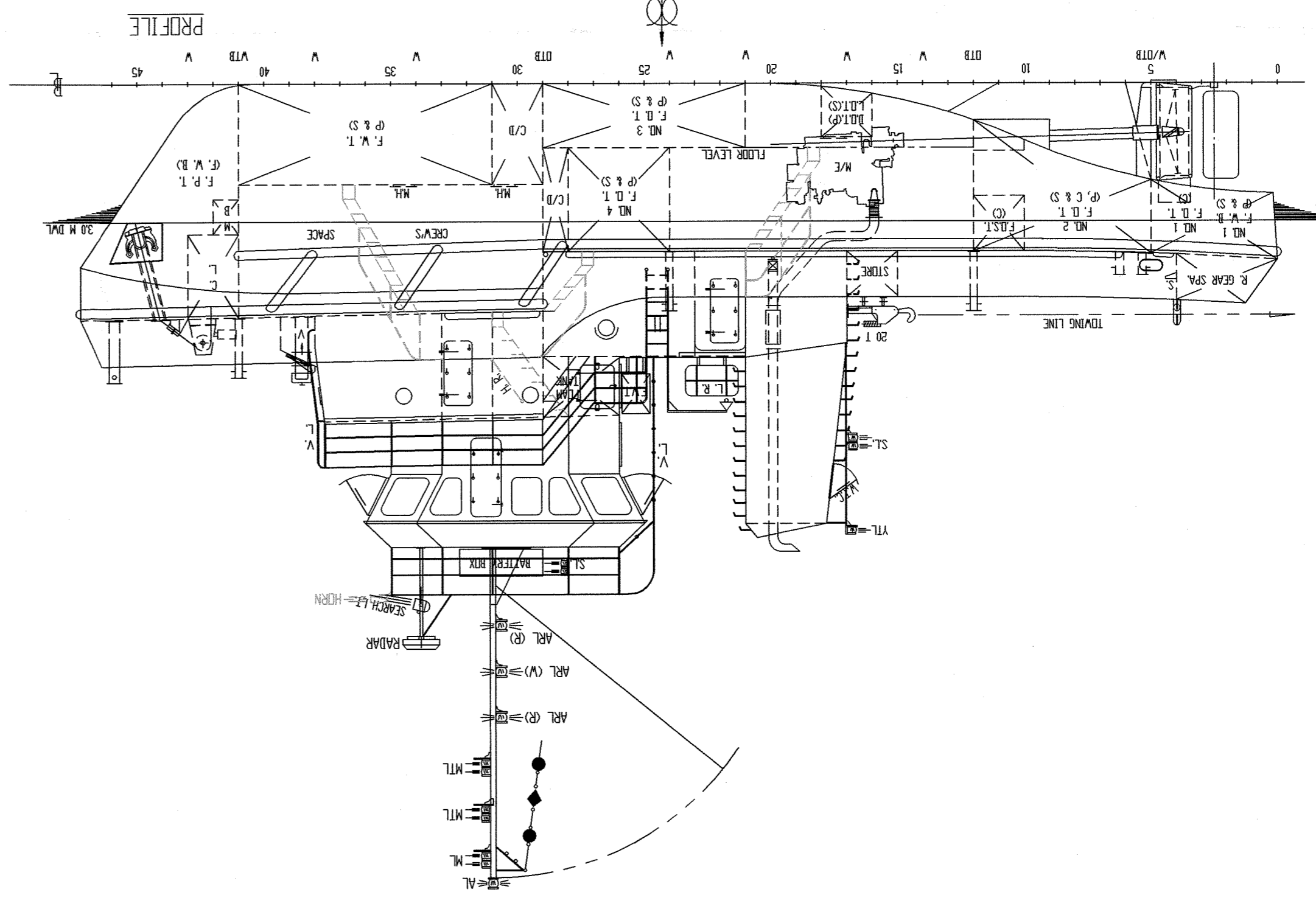
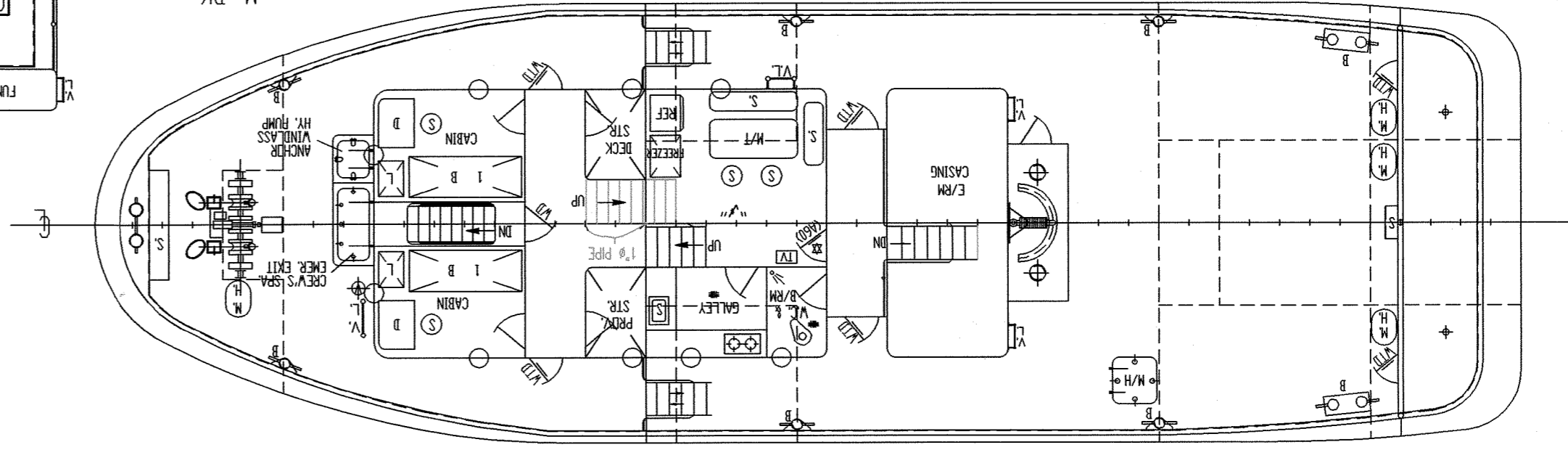
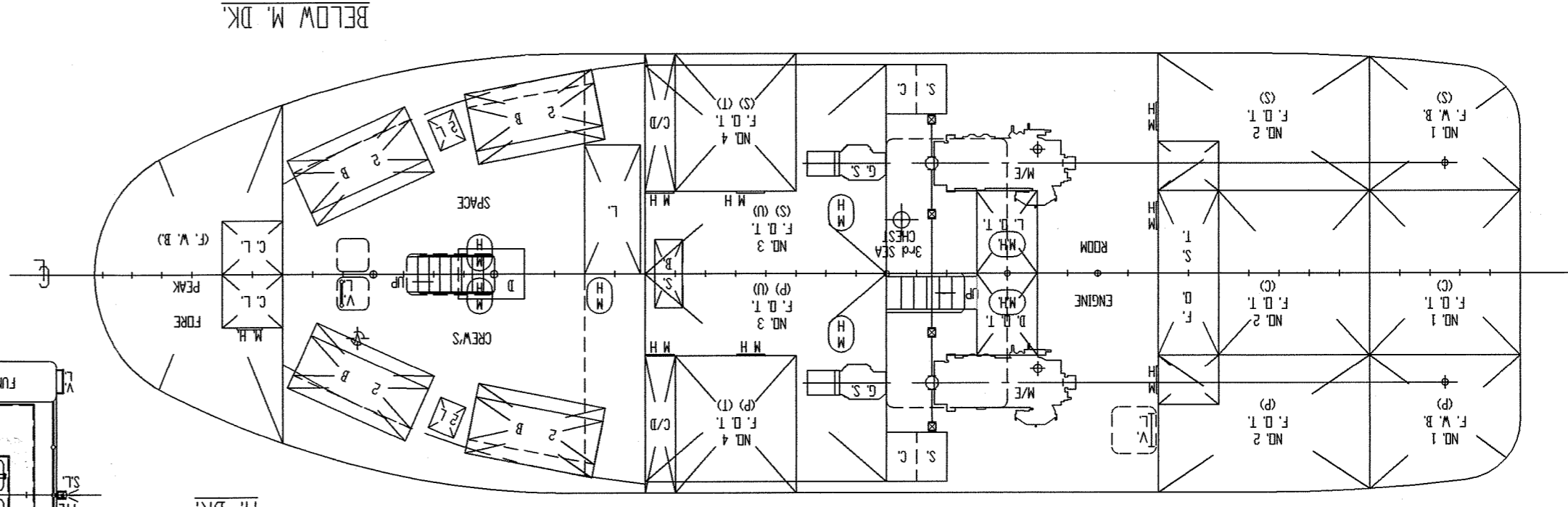
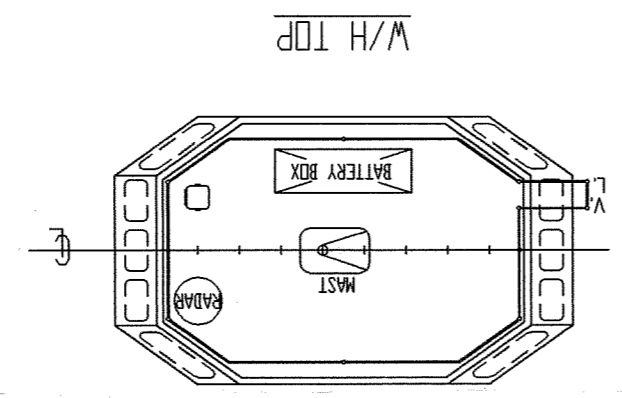
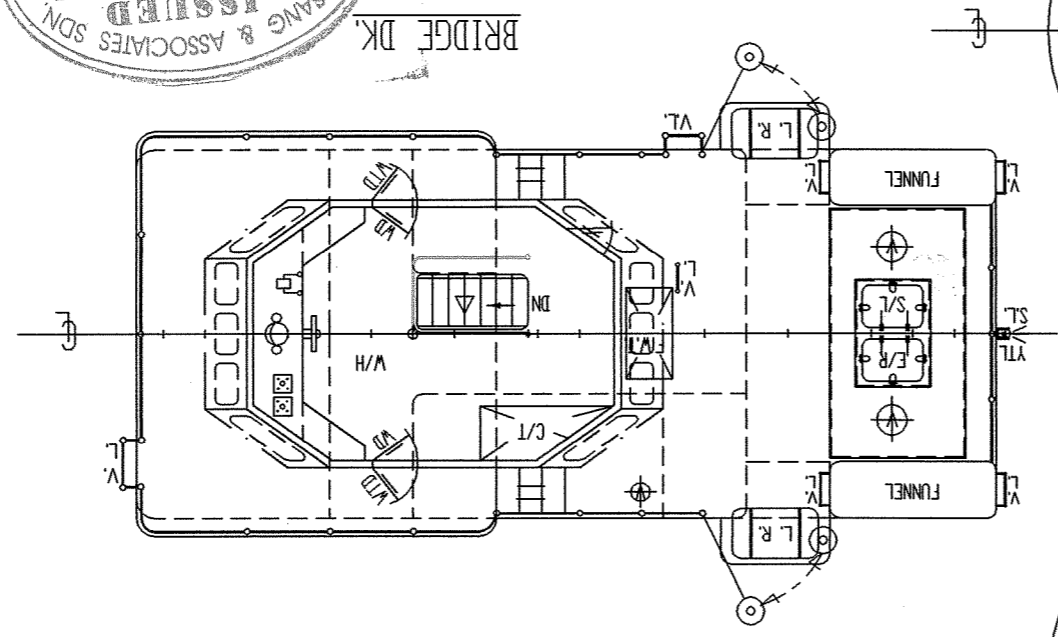
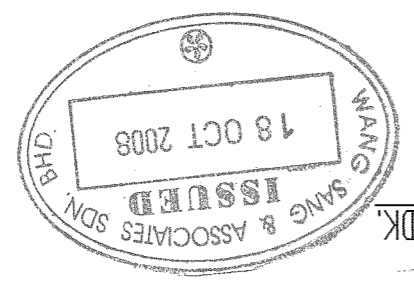


OWNER	VITAWANI SHIPBUILDING SDN. BHD., MRL, YD. NO. VT4
BUILDER	BY I * HULL MACH (TUG)
CLASS	P.D.R. S.PORE
TRADE	UNRESTRICTED AREA
JOB NO.	03308
DRG. NO.	
REV.	
DATE	
MODIFICATION	
BY	
DESIGNER	
DESIGNER	VONG'S SHIPBUILDING CONTRACTOR & DESIGNER SDN. BHD.
COMPANY NO.	670374-H
TEL	084-331582, 316436 (D), 318375 (R), FAX: 084-322098
1ST FLOOR	4C, LORONG JONG KONG, 96000
SIBU, SARAWAK, MALAYSIA	
GPO L/B 18, MCS 50212, 96009	
EMAIL	richmg@pc.jaring.my
SHIP	26M T. S. TUG
TITLE	GENERAL ARRANGEMENT
SCALE	1 : 100
WSD100-08-G	

This drawing and the information contained herein is supplied on the understanding that they are the exclusive property of VONG'S SHIPBUILDING CONTRACTOR & DESIGNER SDN BHD. They must not be used or reproduced in whole or in part without permission in writing.



- THE FOLLOWING EQUIPMENTS IS TO BE PROVIDED ON BOARD
- [A] BOW ANCHOR ---- 2 X 420 KG
 - [B] CHAIN CABLE ---- 275 m X 20.5 mm Ø (GRADE 1)
 - [C] MODRING LINE ---- 3 X 120 m X 49 KN (BREAKING LOAD)
 - [D] TOW LINE ---- 180 m X 98 KN (BREAKING LOAD)
 - [E] CREWS
 - [F] FUEL OIL
 - [G] FRESH WATER
 - [H] BALLAST (FW)
 - [I] D. O. T.
 - [J] L. O. T.
 - [K] MAIN ENGINE
 - [L] GEAR BOX
 - [M] GENERATOR
 - [N] SPEED
 - [O] DESIGNED B.P.

NOTES

FOR CONSTRUCTION

FILE NAME - 26M08100-G

PRINCIPAL PARTICULAR

- L. D. A. 26.00 M (85.28 FT)
- L. B. P. 23.98 M (78.68 FT)
- BEAM MLD 8.00 M (26.23 FT)
- DEPTH MLD 3.65 M (11.97 FT)
- DESIGNED DRAFT 3.00 M (9.84 FT)
- CREWS 10 MEN
- FUEL OIL 130.00 M³ (100% FULL)
- FRESH WATER 46.00 M³ (100% FULL)
- BALLAST (FW) 43.00 M³ (100% FULL)
- D. O. T. 1.40 M³ (100% FULL)
- L. O. T. 1.40 M³ (100% FULL)
- MAIN ENGINE 2 X CATERPILLAR 3412 D
- GEAR BOX TWIN DISC MG-5225 DC
- 6.10 : 1 RATIO
- GENERATOR 2 X 28 KW EACH
- SPEED 11 KNOTS (FREE RUNNING)
- DESIGNED B.P. 20 TONNES