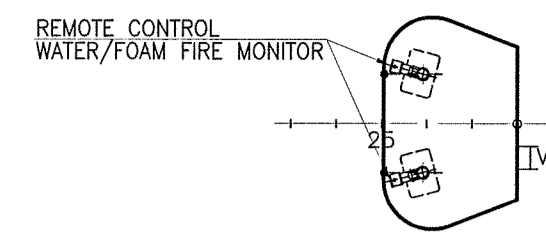
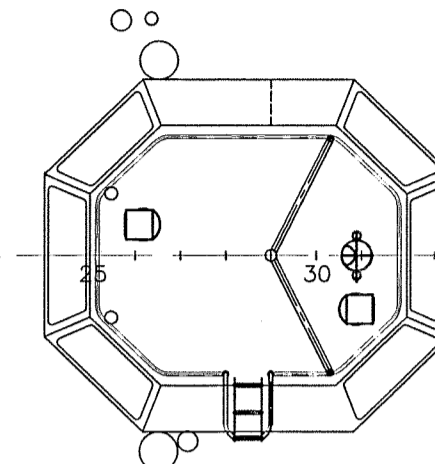


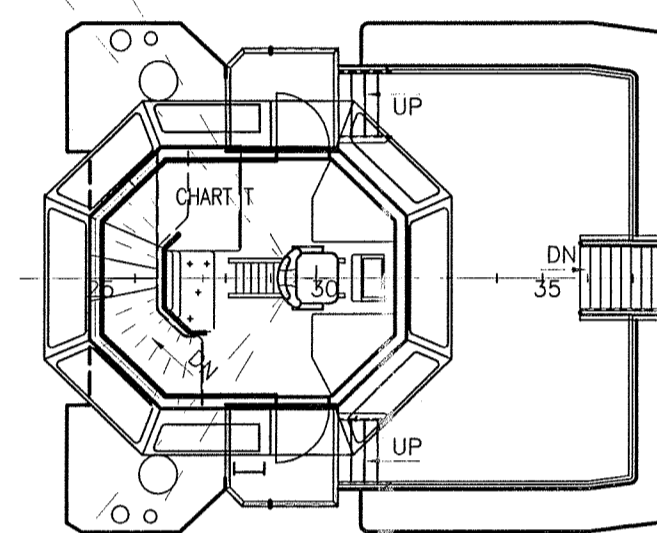
OUTBOARD PROFILE



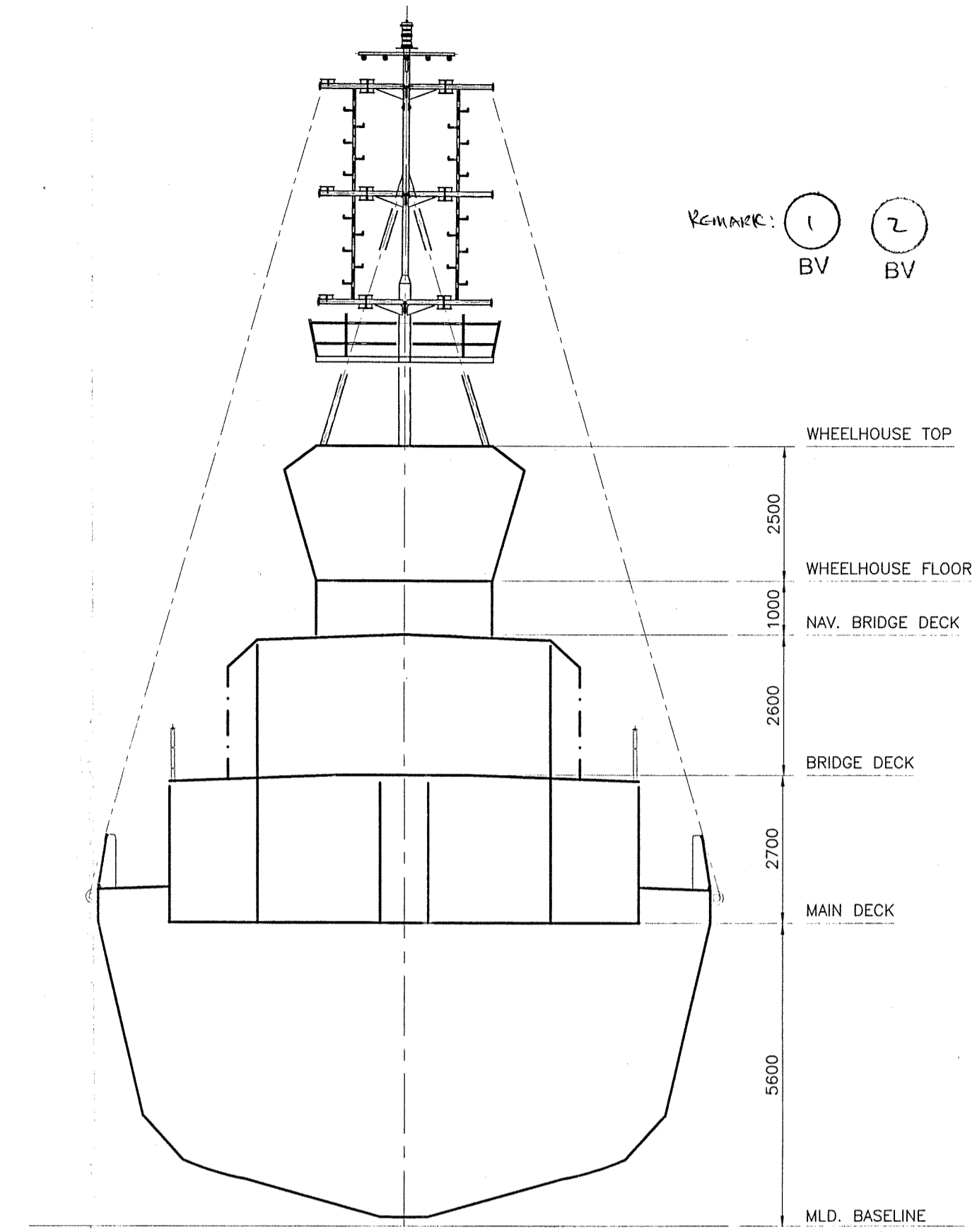
MONITORS PLATFORM



WHEELHOUSE TOP

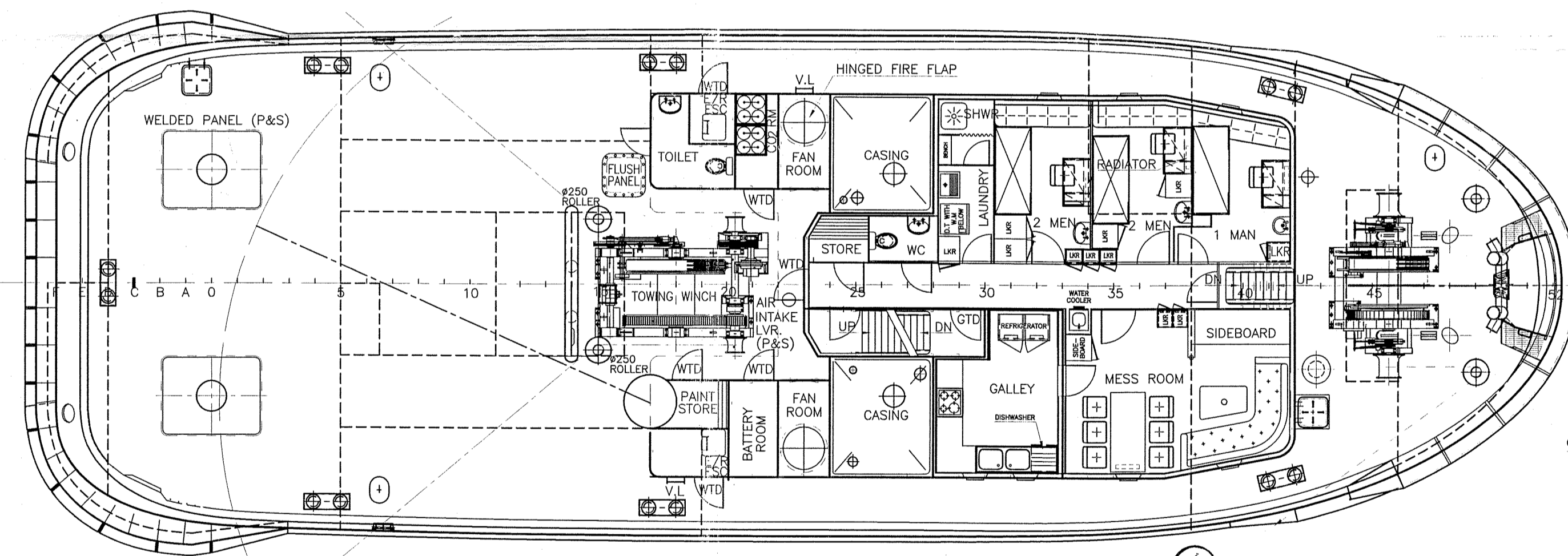


NAV. BRIDGE DECK

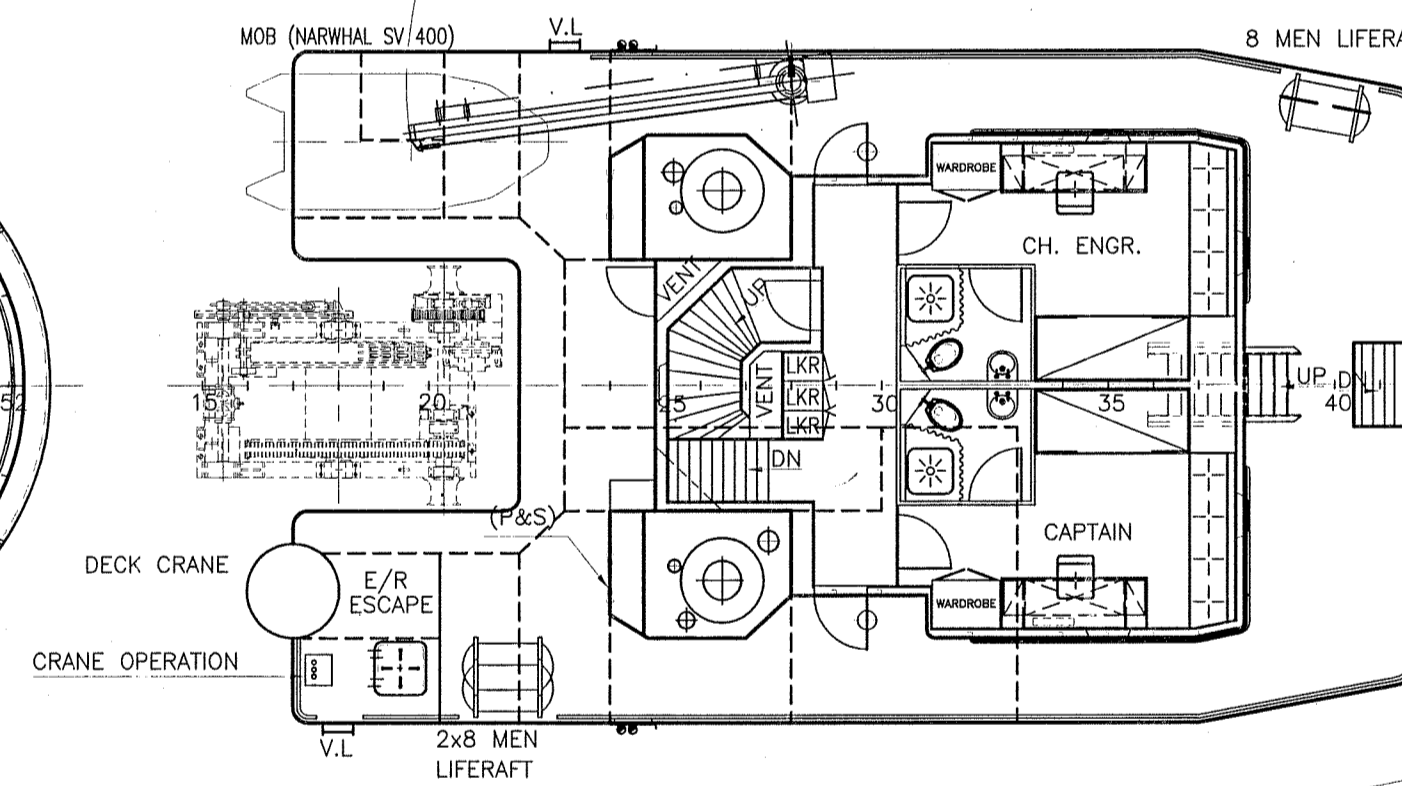


PRINCIPAL DIMENSIONS

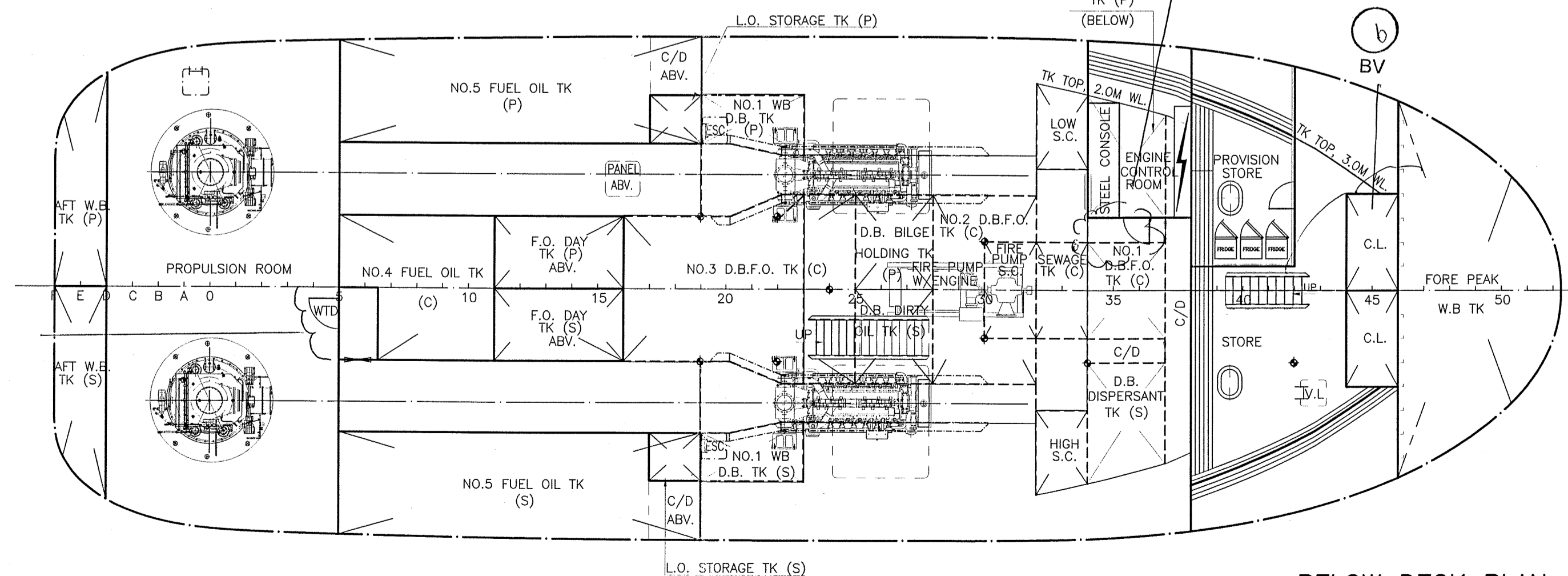
LENGTH O.A. (MLD- HULL)	35.000M
LENGTH B.P.	30.625M
BREADTH MLD.	11.500M
DEPTH MLD.	5.615M AT FR.17
DESIGN DRAFT	4.500M
MAX. DRAFT	4.800M
MAIN ENGINE POWER	2 X 2757 HP
BOLLARD PULL	65 TONNES
FREE RUNNING SPEED	12.5 KNOTS
COMPLEMENT	7 MEN



MAIN DECK PLAN



BRIDGE DECK PLAN



BELOW DECK PLAN

KENTON MARINE SINGAPORE PTE LTD
22 JUL 2009
ISSUED

FOR APPROVAL

RECEIVED - 4 AUG 2009 17 19 61
BUREAU VERITAS Coupe
VU avec observations
Singapour, le 30 JUL 2009
Le Chef de Division

2	UPDATE AS PER DESIGN PROGRESS - DISPERSANT TK, ADDED	SOO PEI	09.07.09
1	UPDATE AS PER DESIGN PROGRESS - SEWAGE TK, ADDED	ISABELO	24.08.09

OWNER
SEE TECHNICAL COMMENT
NO. SPC/ 09 / 03 175
DATED 30 JUL 2009

BUILDER
VITAWANI SHIPBUILDING SDN. BHD.
LOT 525 & 526, BLK 1,
SEDUAN LAND DISTRICT, RANTAU PANJANG,
98000 SIBU, SARAWAK, MALAYSIA
HULL NO.: VT 2

KENTON MARINE
Kenton Marine Singapore Pte Ltd
No. 10 Bukit Batok Crescent
#13-03 The Signe
Singapore 658079
Phone : +65 6467 1322
Fax : +65 6468 5325
E-Mail : info@kenton.com.sg

PROJECT
35 M HARBOUR TUG

TITLE
GENERAL ARRANGEMENT

DATE :-	05.05.09	SCALE :-	1:100
DRAWN BY :-	ISABELO	PROJECT NO. :-	J5757
CHECKED BY :-		DRAWING NO. :-	5757-G101

CLASS :- BV 1 HULL MACH TUG
BY REGISTER NO. 17198T

APPROVED BY	REV-0	REV-1	REV-2	REV-3
OWNER				
CLASS				
YARD				
VENDOR				

THIS DOCUMENT AND THE INFORMATION IT CONTAINS IS COPYRIGHT AND REMAINS THE PROPERTY OF KENTON MARINE SINGAPORE PTE LTD IT IS NOT TO BE COPIED IN WHOLE OR IN PART OR DISCLOSED TO ANY THIRD PARTY FOR ANY PURPOSE WHATSOEVER WITHOUT PRIOR WRITTEN CONSENT.

5 BV